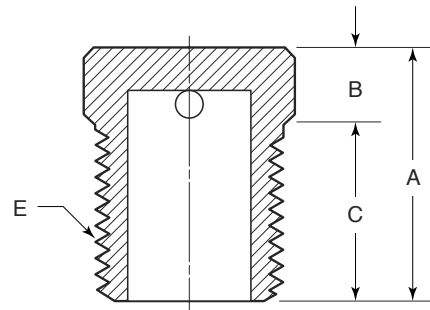
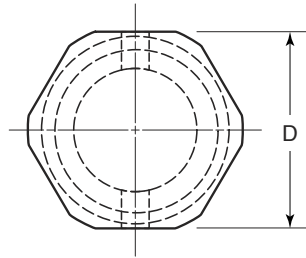
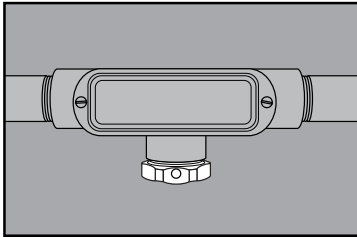


STAINLESS STEEL DRAIN PLUGS



APPLICATION

- Allow condensation to drain from an electrical conduit system
- Used as breathers to reduce condensation
- Manufactured in stainless steel to help prevent corrosion
- Can be installed using ordinary hand tools and require little maintenance or repair
- Provided in a bright, polished finish that does not require touch up or painting



PRODUCT DETAILS

Material:
316 SS

Country of Origin:
100% Made in USA

Part Number	Dimension (in.)				
	A	B	C	D	E
DP50	1.13	0.34	0.78	0.87	½ - 14 NPT
DP75	1.13	0.33	0.79	1.13	¾ - 14 NPT
DP100	1.31	0.33	0.99	1.38	1-11½ NPT



© 2025 GIBSON STAINLESS & SPECIALTY, INC. - REV 02/2025

PO BOX 847, GREENSBURG, PA 15601
PHONE: 1-800-945-4316 • FAX: 724-838-1544

WEB: GIBSONSTAINLESS.COM